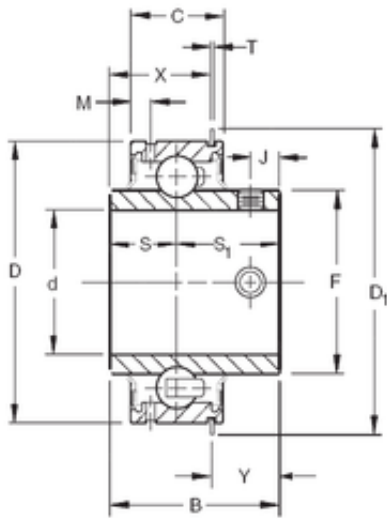




NTN BEARING DRIVESHAFT, INC.



34,925 mm x 72 mm x 42,86 mm TIMKEN ER22 Insert Bearings Cylindrical OD

Bearing No. ER22

| | |
|----------------|--------------------|
| Size | 34.925x72x42.86 mm |
| Bore Diameter | 34,925 mm |
| Outer Diameter | 72 mm |
| Width | 42,86 mm |
| d | 34,925 mm |
| D | 72 mm |
| B | 42,86 mm |
| C | 23,81 mm |
| Y | 19,76 mm |
| S1 | 25,4 mm |
| X | 23,11 mm |
| D1 | 78,2 mm |
| F | 46,83 mm |
| J | 7,94 mm |
| M | 5,56 mm |
| S | 17,46 mm |
| T | 1,6 mm |
| Thread (G) | M8X1,25 |

ER22 Bearing 2D drawings and 3D CAD models