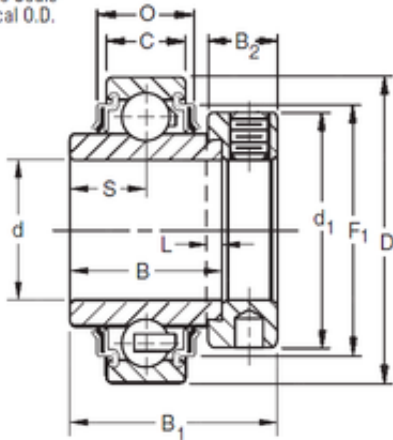




NTN BEARING DRIVESHAFT, INC.

KRR Two Seals
Cylindrical O.D.



38,1 mm x 80 mm x 42,86 mm TIMKEN 1108KRR Insert Bearings Cylindrical OD

Bearing No. 1108KRR

Size	38.1x80x42.86 mm
Bore Diameter	38,1 mm
Outer Diameter	80 mm
Width	42,86 mm
d	38,1 mm
D	80 mm
B	42,86 mm
C	18 mm
P	19,28 mm
O	20,45 mm
d1	60,3 mm
B1	56,4 mm
B2	18,3 mm
L	4,8 mm
S	21,4 mm
F1	67,79 mm
Weight	0,789 Kg
Basic dynamic load rating (C)	36 kN

1108KRR Bearing 2D drawings and 3D CAD models