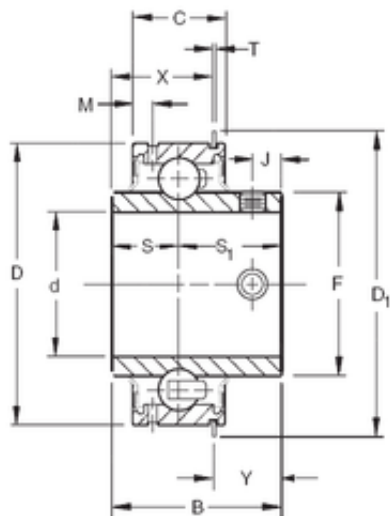




NTN BEARING DRIVESHAFT, INC.



30,1625 mm x 62 mm x 38,1 mm TIMKEN ER19 Insert Bearings Cylindrical OD

Bearing No. ER19

Size	30.1625x62x38.1 mm
Bore Diameter	30,1625 mm
Outer Diameter	62 mm
Width	38,1 mm
d	30,1625 mm
D	62 mm
B	38,1 mm
C	22,23 mm
Y	17,93 mm
S1	22,22 mm
X	20,17 mm
D1	67,5 mm
F	40,48 mm
J	7,54 mm
M	5,56 mm
S	15,87 mm
T	1,6 mm
Thread (G)	M6X1

ER19 Bearing 2D drawings and 3D CAD models